

# ILLUMINATING EVERY NICHE



## TRAFFIC SIGNAL POLE



البابطين للطاقة و الاتصالات  
AL-BABTAIN POWER & TELECOM

# TRAFFIC SIGNAL POLE

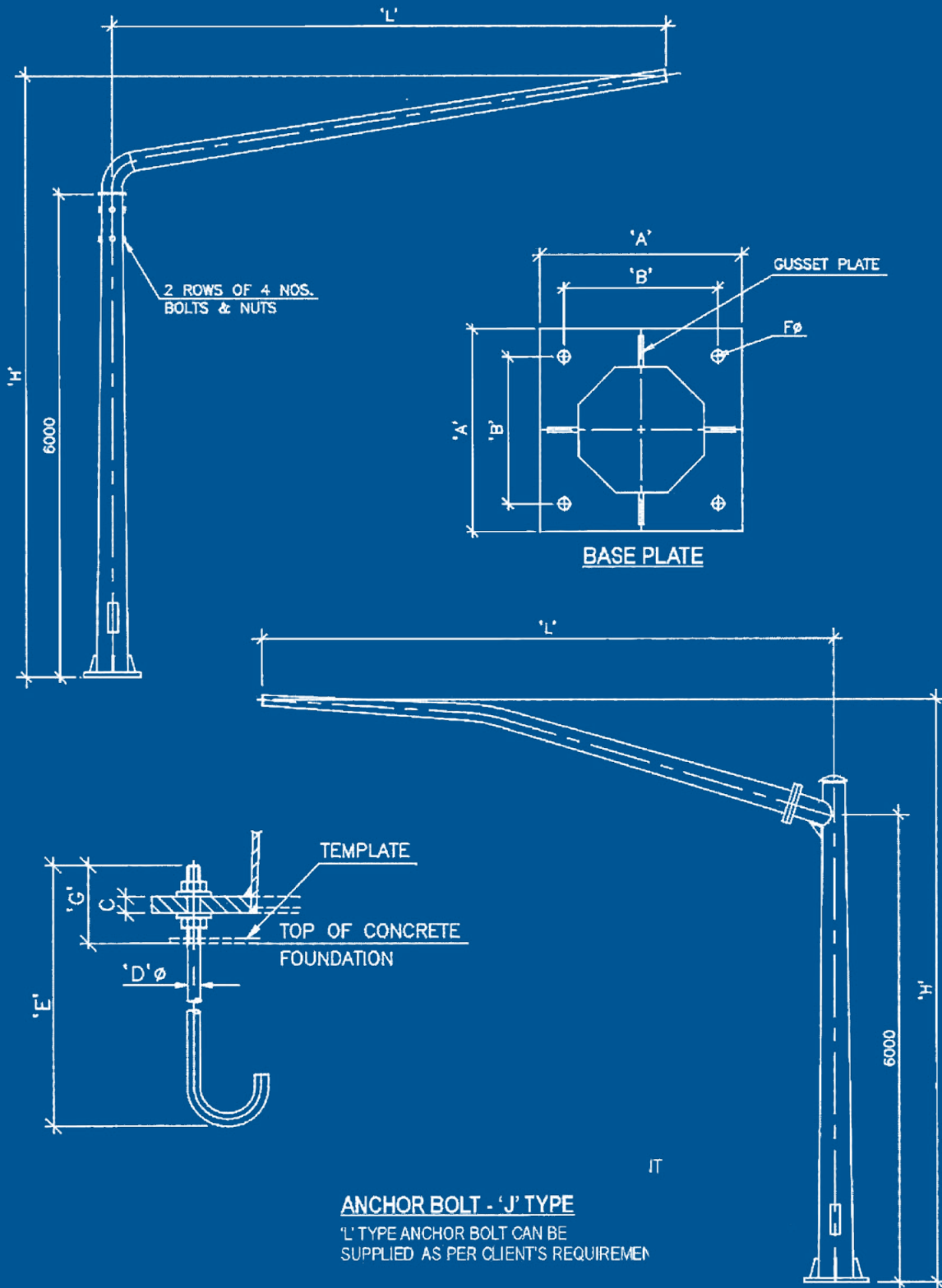
The Traffic Signal Poles have International standard performance ensuring high functioning quality, as well as great reliability. With an over-sized list of innovative features and perfect style, the traffic signal poles are remarkably effective when coming to the pole finish.

Al-Babtain Traffic Signal Poles are produced using steel EN 10027-1 S355J0. These poles can also be used to support various signboards, traffic signs etc. According to the number, size and installation of the fixtures, our design department decides all the required dimensions for these poles. The poles for traffic signals can also be used to support various traffic signs.

These poles are supplied either after Hot dipped Galvanization as per BS EN ISO 1461 / ASTM A123 OR painted externally, if required by the customer.



# TRAFFIC SIGNAL POLE



## ANCHOR BOLT - 'J' TYPE

'L' TYPE ANCHOR BOLT CAN BE SUPPLIED AS PER CLIENT'S REQUIREMEN



[www.al-babtain.com.sa](http://www.al-babtain.com.sa)



البابطين للطاقة و الاتصالات  
AL-BABTAIN POWER & TELECOM