

ILLUMINATING EVERY NICHE



MOBILE CROWN HIGH MAST



البابطين للطاقة و الاتصالات
AL-BABTAIN POWER & TELECOM



MOBILE CROWN HIGH MAST

The Mobile Crown High Mast is at the heart of good quality and ease of mind since it is built in a way that grabs the crowd's trust. It is crucial to mention also that it operates with very simple procedures. It's a convenient solution for variety of different projects-from major highways to international airports

Application

- Area Lighting
- Highways
- Airports
- Stadiums

Types of High Mast

For the Raising & Lowering of the luminaries or flood lights mounted brackets to the ground level, the Mobile crown High mast is generally available with following features.

- With Latching Device
- Without Latching Device

The raising & lowering is done for maintenance by means of mechanical wire rope arrangements

Construction Features

- Winch capacities for Al-Babtain systems are up to 1500 kgs. On request, other capacities can be supplied.
- Winch could be operated using external power tool or built-in motor, as per customer requirement.
- High Mast is constructed using polygonal shafts manufactured with shaped steel sheets longitudinally welded and joined together to achieve the required height by telescopic slip joint.
- The High Mast shaft is fabricated from high tensile steel plates confirming BS EN 10027-1 355J0 with the following mechanical features:

Yield Strength Min 355 N/mm²

Tensile Strength 490 630 N/mm²

- On request, the high mast may be manufactured with other steel grades to suit certain demands
- AL-BABTAIN High Masts suits up to 90 m of heights.
- The entire mast shall be hot dip galvanized after fabrication, internally and externally, in accordance with BS EN ISO 1461 or ASTM 123. Optional powder coated painting as per request
- Manufacturing quality conforms to ISO 9001:2001 standards.

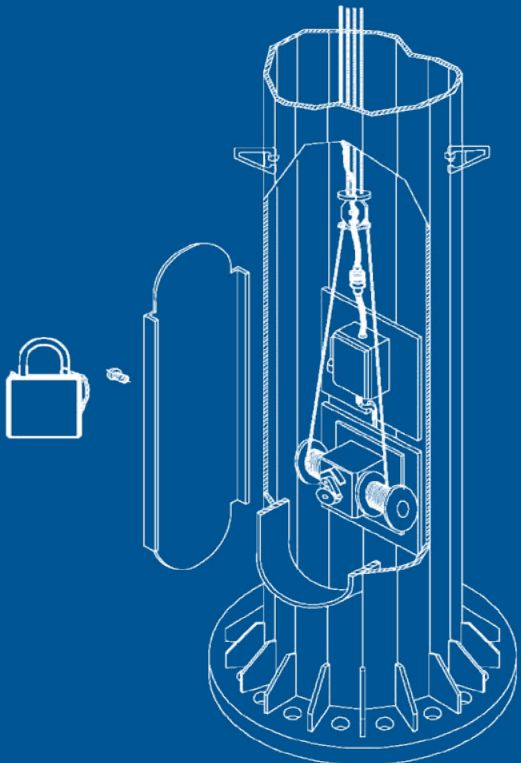
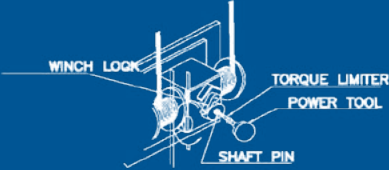
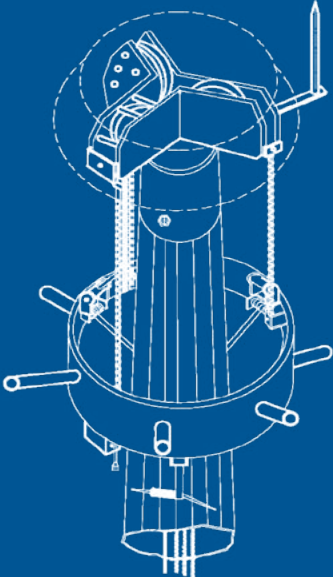
Optional items

The High Masts are supplied completely with shafts, and anchor bolts as required. The following items are supplied as specified:

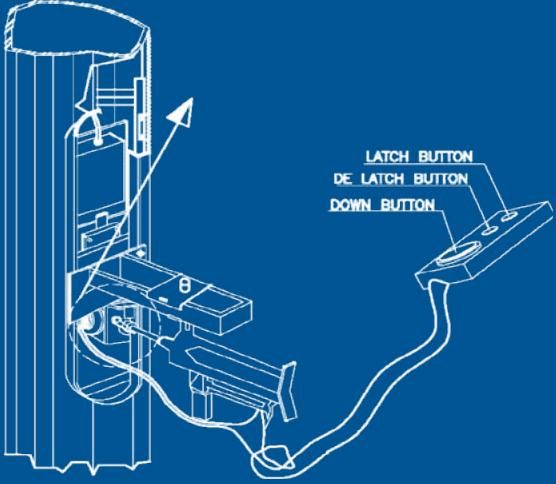
- Aviation Warning Lighting System (single/Double)
- Special Decorative designs up on request
- Powder coated or high mast painting
- Antenna
- Surveillance camera



Mobile Crown Details

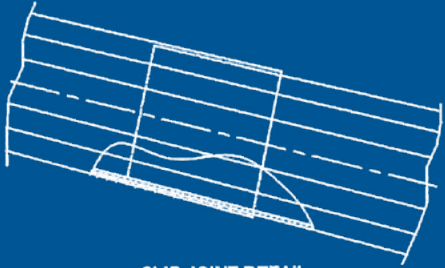


HEAD MAST & BASE COMPARTMENT ARRANGEMENT

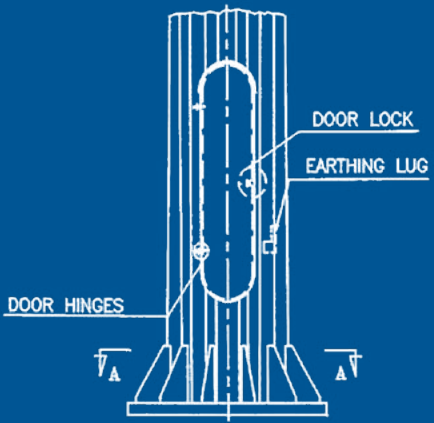


POWER TOOLS ARRANGEMENT

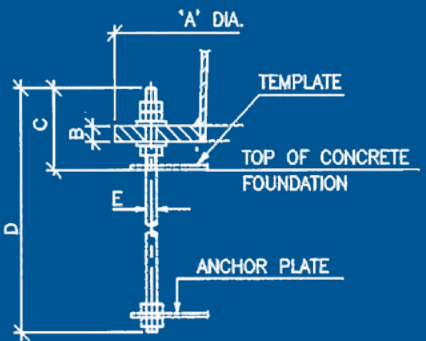
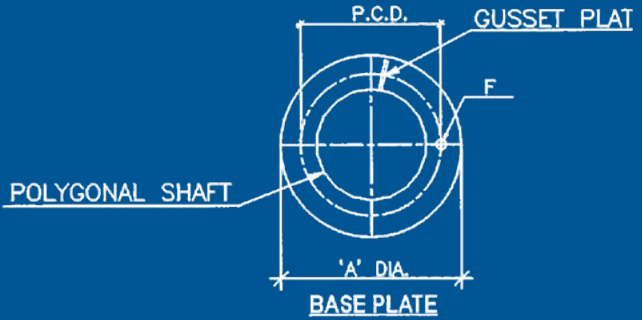
Mobile Crown Details



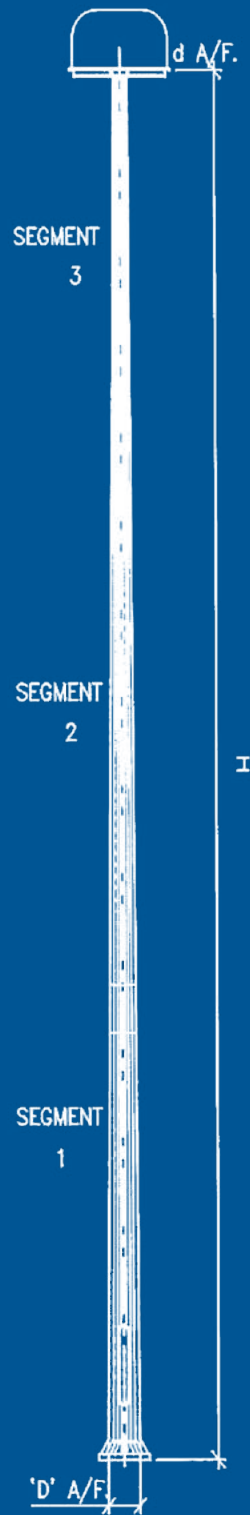
SLIP JOINT DETAIL



DOOR DETAILS



ANCHOR BOLT I-BOLT
 'J' TYPE ANCHOR BOLT CAN BE PROVIDED
 AS PER CLIENT'S REQUIREMENT



www.al-babtain.com.sa



البابطين للطاقة و الاتصالات
AL-BABTAIN POWER & TELECOM