

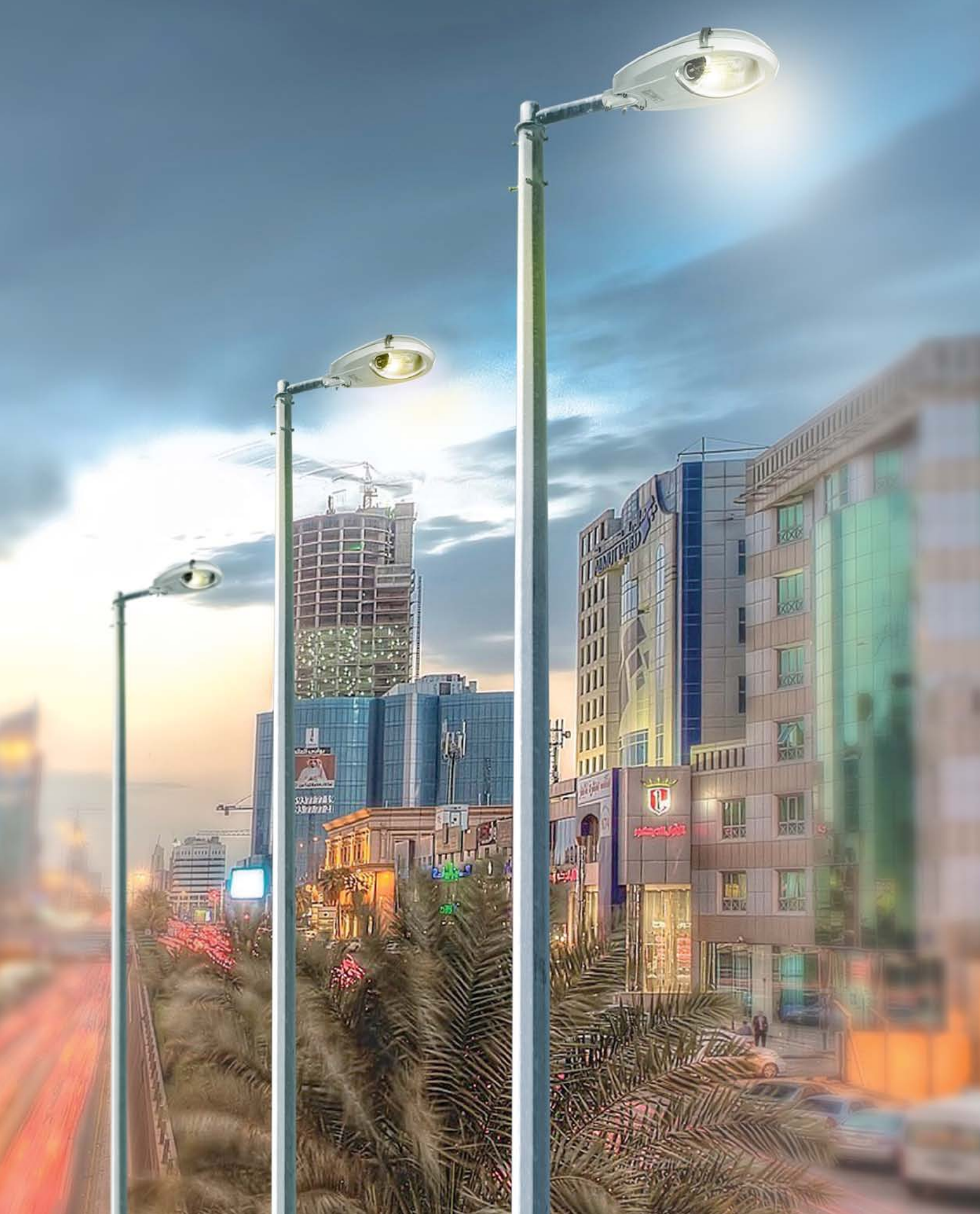
ILLUMINATING EVERY NICHE

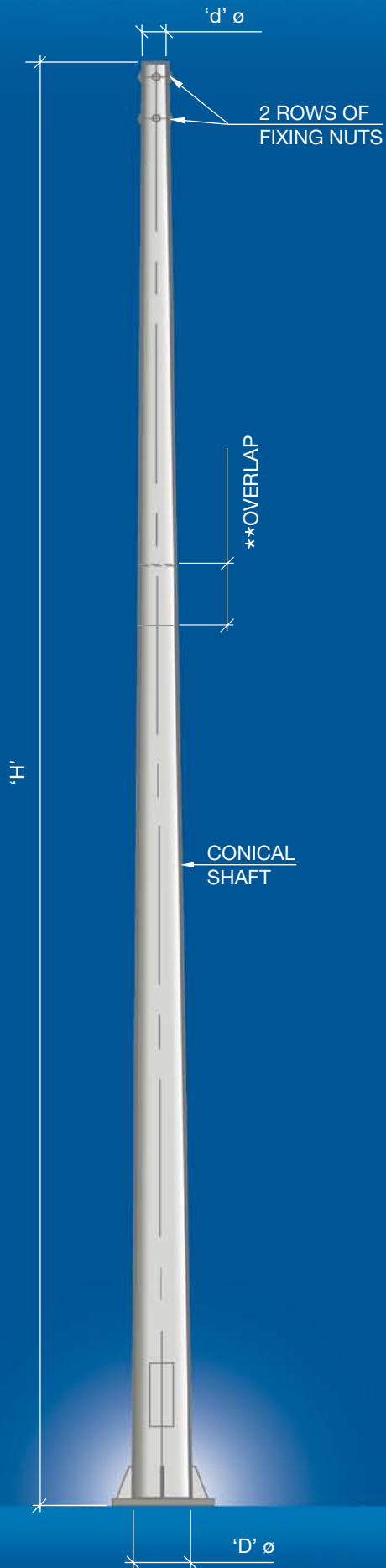


MOMRA POLES



البابطين للطاقة و الاتصالات
AL-BABTAIN POWER & TELECOM

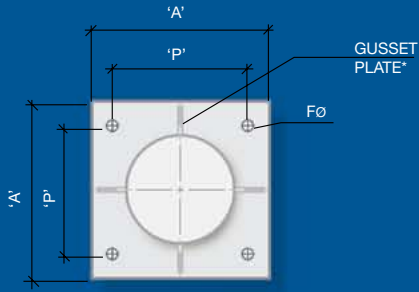




MOMRA Poles

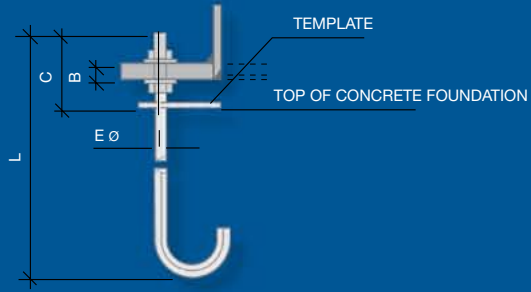
The MOMRA poles have International standard performance ensuring high functioning quality, as well as great reliability. With an over-sized list of innovative features and perfect style, MOMRA poles are remarkably effective when coming to the pole finish.

MOMRA Conical Pole



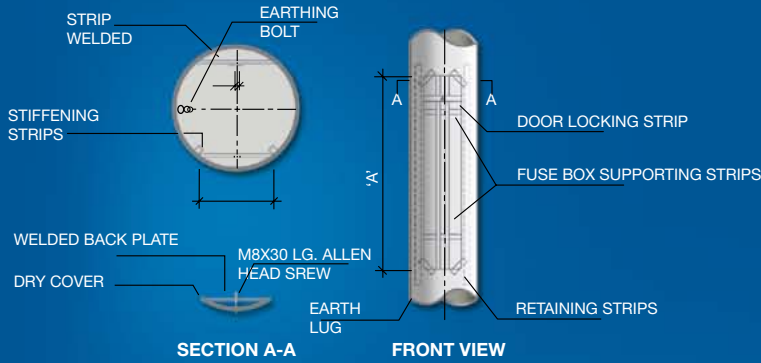
BASE PLATE

*FOR POLE HEIGHT ABOVE 12 METERS



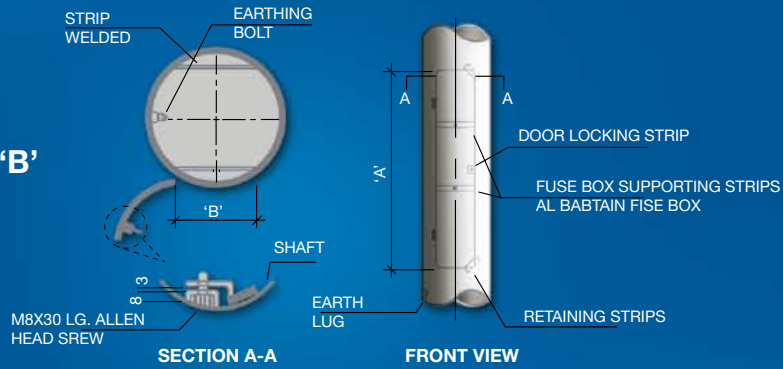
ANCHOR BOLT - 'J' TYPE

'L' TYPE ANCHOR BOLT CAN BE PROVIDED AS PER CLIENTS REQUIREMENTS

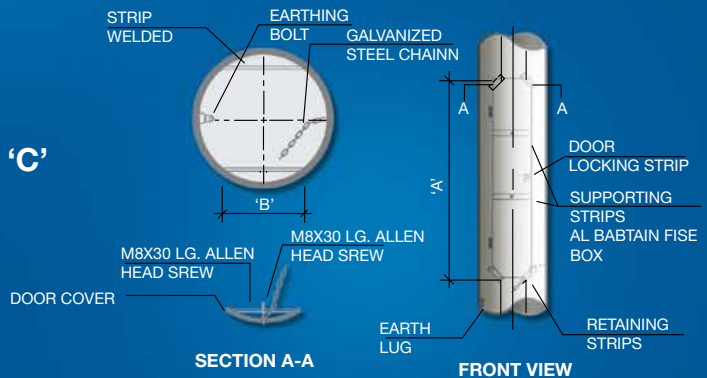


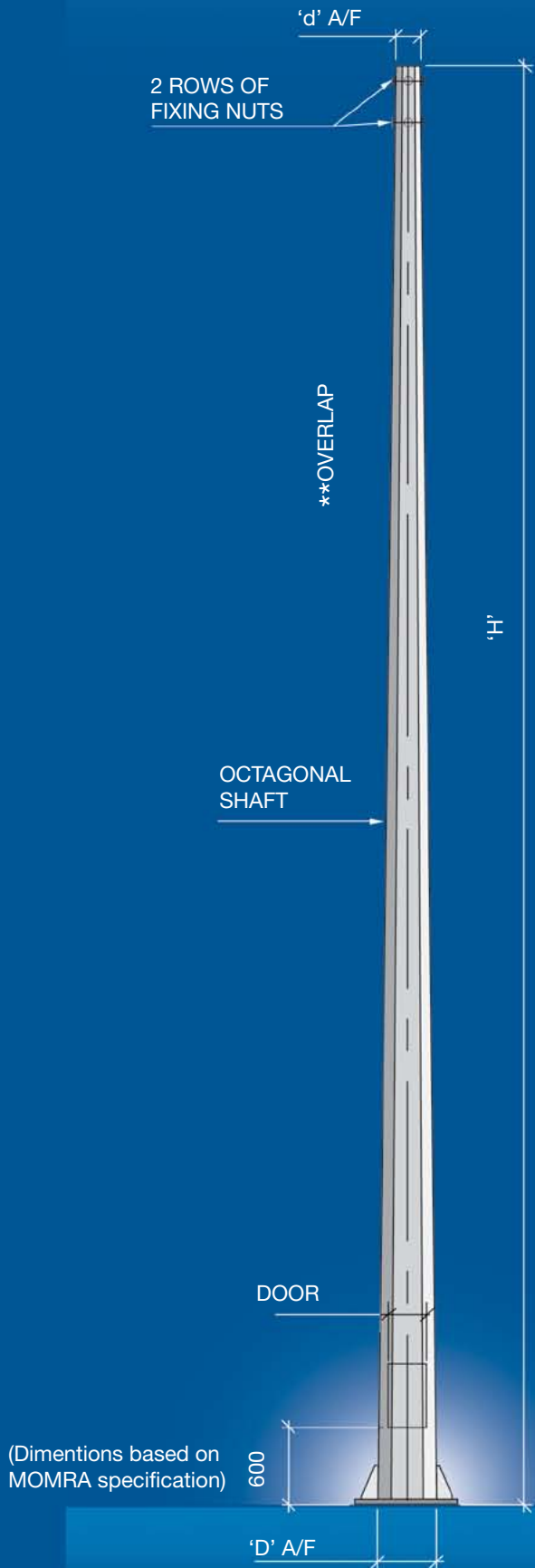
**DOOR DETAIL "CONICAL"
"NORMAL" TYPE - 'A'**

"HINGE" TYPE - 'B'



"CHAIN" TYPE - 'C'





Application:

Al-Babtain MOMRA lighting poles are used for highways including intersections and flyovers, local streets, storage areas, harbors and docks, parking lots, marshaling yards, construction sites, industrial areas, stadium and security lighting.

Materials:

These poles are generally made from steel of grade EN10027-1 S355J0 having the following mechanical properties:-

Yield Strength Min 355 N/mm²

Tensile Strength 490-630 N/mm²

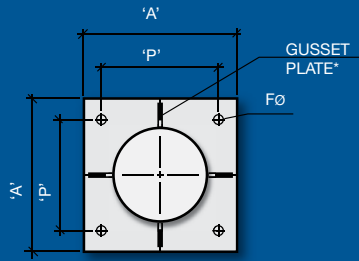
On request, the poles may be manufactured with steel EN 10027-1 S275J0.

Surface Protection:

The poles are supplied with various types of protection against corrosion.

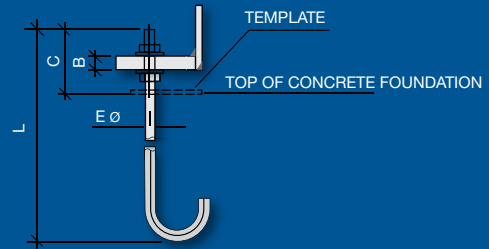
- Hot dip galvanization: by immersion in molten zinc bath, carried out in compliance with BS EN ISO 1461 or ASTM 123.
- Various coating thicknesses are provided depending upon severity of the corrosive environment.
- Painting of external surface: with anti-rust liquid or powder paint.

MOMRA Octagonal Pole



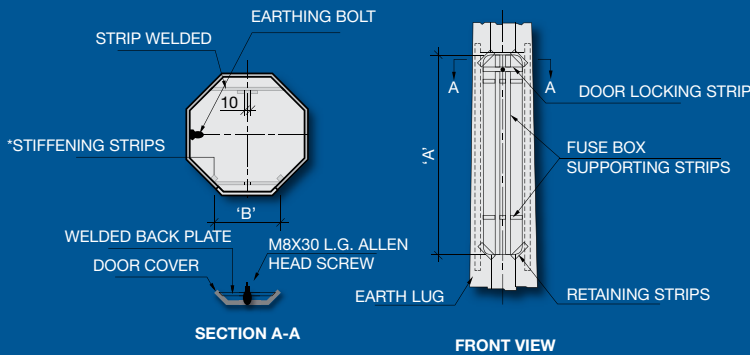
BASE PLATE

*FOR POLE HEIGHT ABOVE 12 METERS

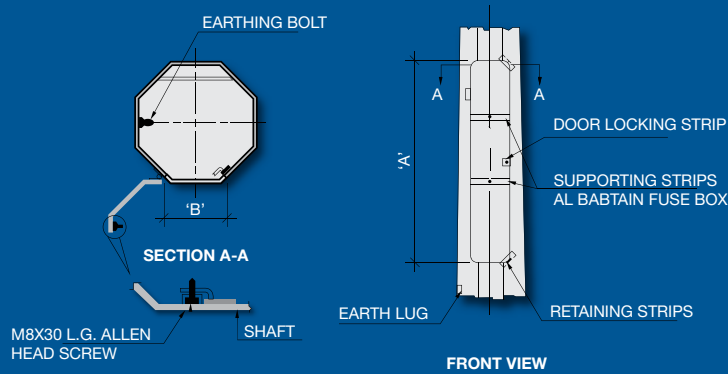


ANCHOR BOLT - 'J' TYPE

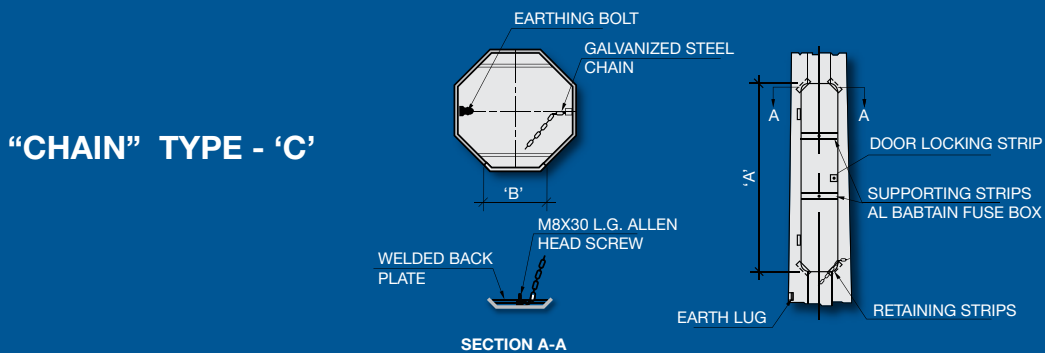
'L' TYPE ANCHOR BOLT CAN BE PROVIDED AS PER CLIENTS REQUIREMENTS



**DOOR DETAIL "OCTAGONAL"
"NORMAL" TYPE-'A'**



"HINGED" TYPE - 'B'



"CHAIN" TYPE - 'C'

*DOOR STIFFENING STRIPS WILL BE PROVIDED IF NECESSARY
OTHER SIZES / TYPES CAN BE PROVIDED UPON REQUEST

Lighting Poles

1- MOMRA Octagonal

Technical Data Chart

CODE	H mtr	d mm	D mm	DOOR	No. Of Sect.	P mm	BASE PLATE					
							A mm	B mm	C mm	E mm	F mm	I mm
OL3	3	60	102	300x80	1	200	250	10	80	18	22	400
OL4	4	60	156	300x90	1	200	250	10	80	18	22	400
OL5	5	60	156	400x100	1	250	350	10	120	24	28	500
OL6	6	60	156	400x100	1	250	350	10	120	24	28	500
OL7	7	60	190	400x140	1	300	400	15	120	24	28	500
OL8	8	60	190	400x140	1	300	400	15	120	24	28	500
OL9	9	60	190	500x140	1	300	400	15	120	24	28	700
OL10	10	100	210	400x140	1	300	400	15	120	24	28	700
OL12	12	100	250	500x140	1	300	400	20	140	27	32	700
OL14	14	110	285	500x145	1	400	500	20	160	27	32	900
OL15	15	120	300	500x150	2	500	600	25	160	30	36	1000
OL16	16	120	320	500x160	2	500	600	25	160	30	36	1000

2- MOMRA Conical

Technical Data Chart:

CODE	H mtr	d mm	D mm	DOOR	No. of Sect.	P mm	BASE PLATE					
							A mm	B mm	C mm	E mm	F mm	L mm
OL3	3	60	100	300x80	1	200	250	10	80	18	22	400
OL4	4	65	130	300x80	1	200	250	10	80	18	22	400
OL5	5	65	130	400x100	1	250	350	10	120	24	28	500
OL6	6	60	150	400x100	1	250	350	10	120	24	28	500
OL7	7	75	165	400x140	1	300	400	15	120	24	28	500
OL8	8	90	180	400x140	1	300	400	15	120	24	28	500
OL9	9	100	200	500x140	1	300	400	15	120	24	28	700
OL10	10	110	220	500x140	1	300	400	15	120	24	28	700
OL12	12	120	240	500x140	1	300	400	20	140	27	32	700
OL14	14	120	285	500x145	1	400	500	20	160	27	32	900
OL15	15	120	300	500x150	2	500	600	25	160	30	36	1000
OL16	16	120	320	500x160	2	500	600	25	160	30	36	1000

www.al-babtain.com.sa



البابطين للطاقة و الاتصالات
AL-BABTAIN POWER & TELECOM