

ILLUMINATING EVERY NICHE



K/B POLES



البابطين للطاقة و الاتصالات
AL-BABTAIN POWER & TELECOM



K/B POLES

K/B Poles are ultimately known for their great economical characteristics due to their wide distribution performance. Also important to mention that they are of a light weight, hence easy to install.

Application

Al-Babtain K/B lighting poles are used for local streets, remote areas, harbors and docks, parking lots, marshaling yards, construction sites, industrial areas and security lighting.

Materials

These poles are generally made from steel of grade EN10027-1 S355J0 having the following mechanical properties:

Strength Min 355 N/mm²

Tensile Strength 490-630 N/mm²

On request, the poles may be manufactured with steel EN 10027-1 S275J0.

Surface Protection:

The poles are supplied with various types of protection against corrosion.

- Hot dip galvanization: by immersion in molten zinc bath, carried out in compliance with BS EN ISO 1461 or ASTM 123.
- Various coating thicknesses are provided depending upon severity of the corrosive environment.
- Painting of external surface: with anti-rust liquid or powder paint.

Lighting Poles

1- K/B Conical

Technical Data Chart

H mm	d mm	D mm	DOOR	NO. OF SEC.	BASE PLATE DETAILS						
					P mm	A mm	B mm	C mm	E mm	F mm	I mm
10	75	192	500x130	1	300	400	15	125	27	31	700
12	89	257	600x130	1	300	400	20	125	27	31	900
15	110	295	600x135	2	350	450	25	140	30	34	1000

2- K/B Octagonal

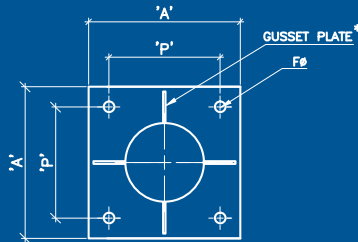
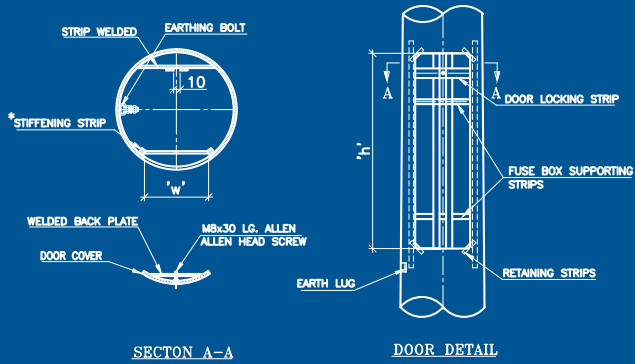
Technical Data Chart:

H mm	d mm	D mm	DOOR	NO. of SEC.	BASE PLATE DETAILS						
					P mm	A mm	B mm	C mm	E mm	F mm	I mm
6	62	145	400x100	1	250	350	15	110	24	28	500
8	75	165	400x115	1	250	350	15	110	24	28	500
10	75	188	500x130	1	300	400	15	125	27	31	700
12	89	257	500x140	1	300	400	20	125	27	31	900
15	110	297	600x160	2	350	450	25	140	30	34	1000

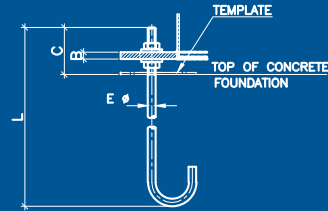
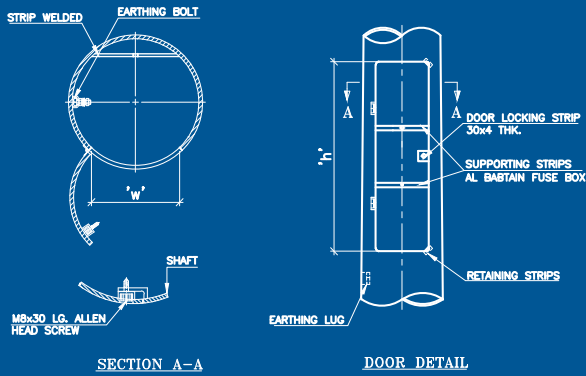


1- K/B Conical Pole

DOOR DETAIL "CONICAL" "NORMAL" TYPE 'A'



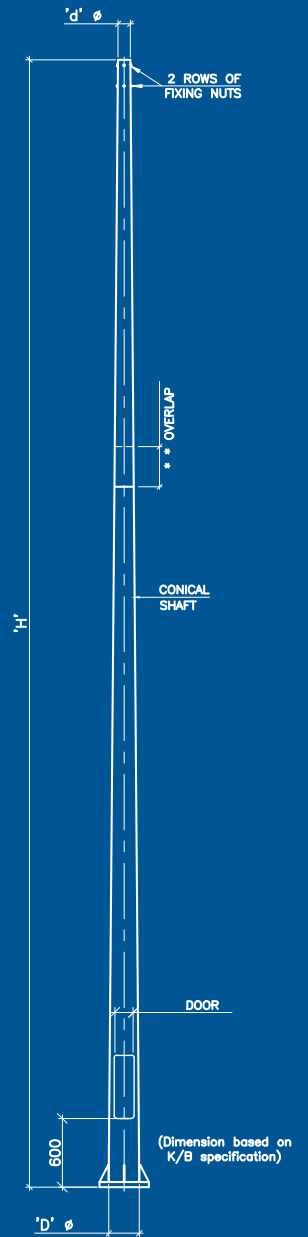
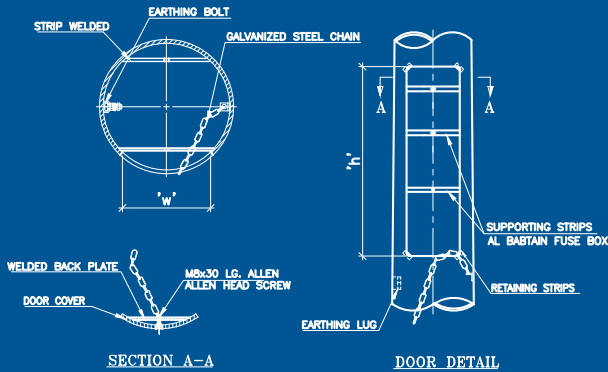
"HINGED" TYPE 'B'



ANCHOR BOLT - 'J' TYPE

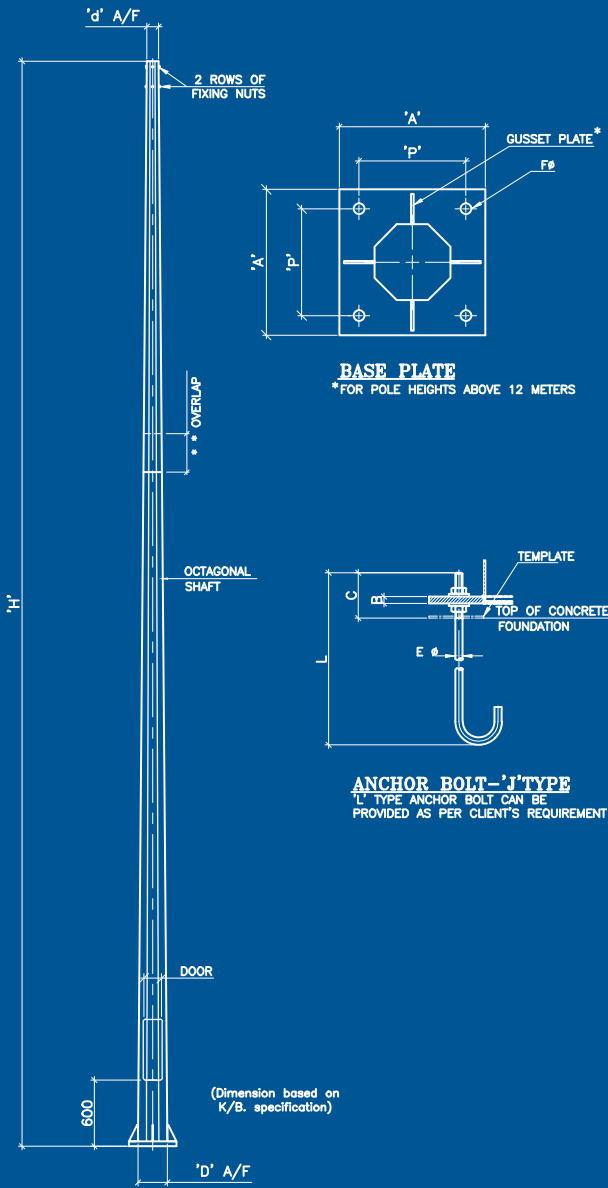
'L' TYPE ANCHOR BOLT CAN BE PROVIDED AS PER CLIENT'S REQUIREMENT

"CHAIN" TYPE 'C'

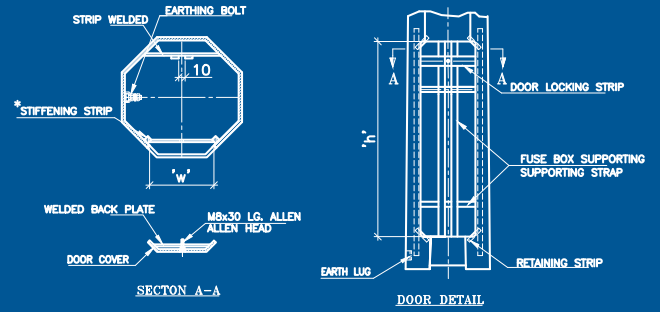


*DOOR STIFFENING STRIPS WILL BE PROVIDED IF NECESSARY
OTHERS SIZES/TYPES CAN BE PROVIDED UPON REQUEST
**FOR SEGMENTED SHAFT WITH HEIGHT GREATER THAN 15 MTS

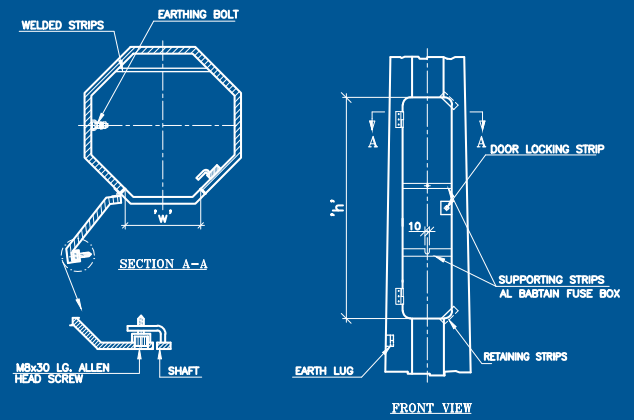
2- K/B Octagonal Pole



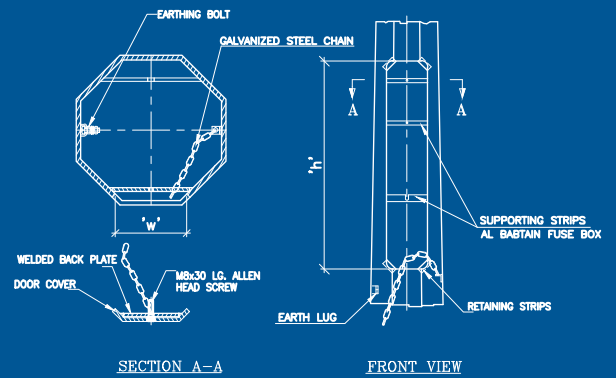
DOOR DETAIL "OCTAGONAL" "NORMAL" TYPE 'A'



"HINGED" TYPE 'B'



"CHAIN" TYPE 'C'



*DOOR STIFFENING STRIPS WILL BE PROVIDED IF NECESSARY
OTHERS SIZES/TYPES CAN BE PROVIDED UPON REQUEST
**FOR SEGMENTED SHAFT WITH HEIGHT GREATER THAN 15 MTS

www.al-babtain.com.sa



البابطين للطاقة و الاتصالات
AL-BABTAIN POWER & TELECOM